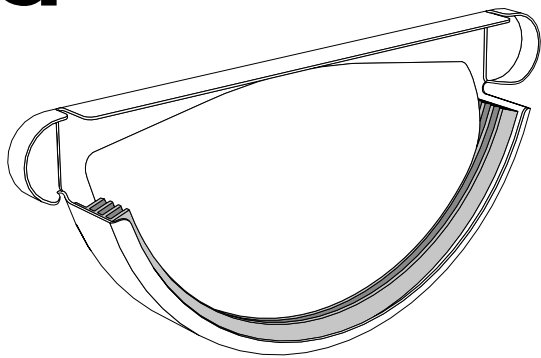
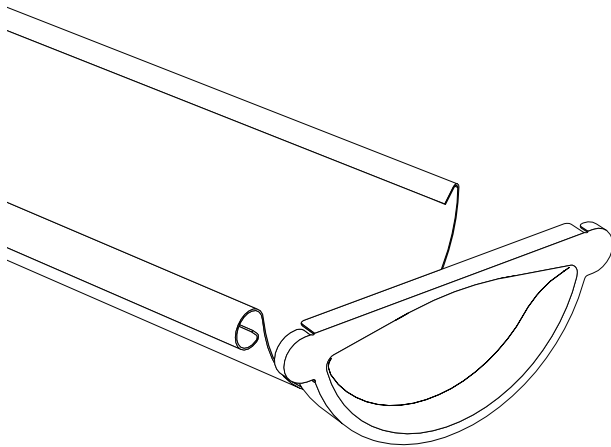


# Assembly Instruction Rainwater System

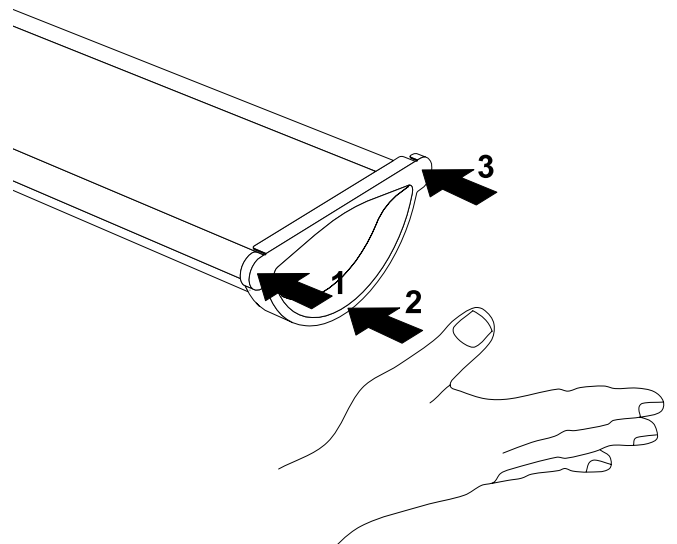
## RG



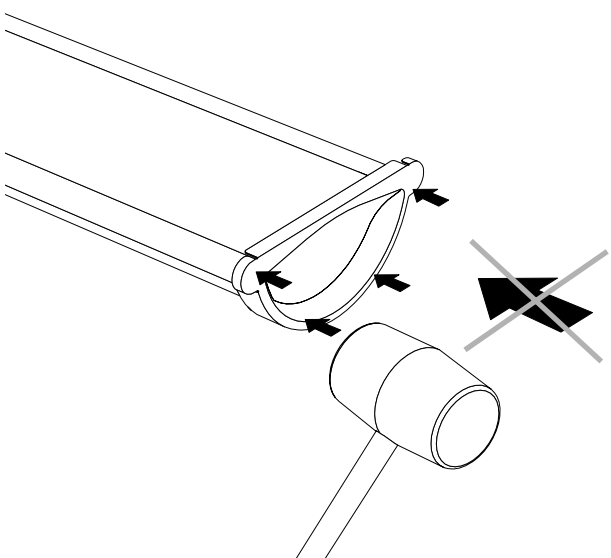
1.



2.



3.



4.

