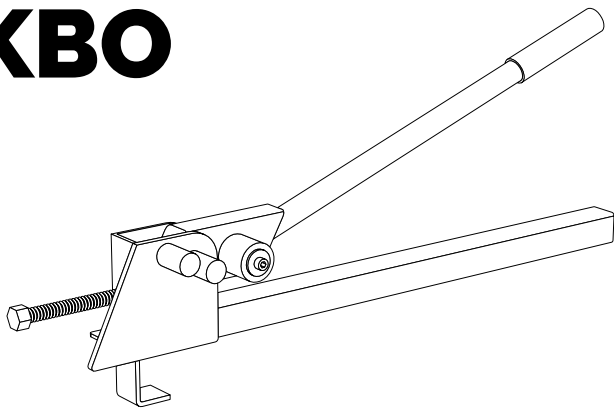
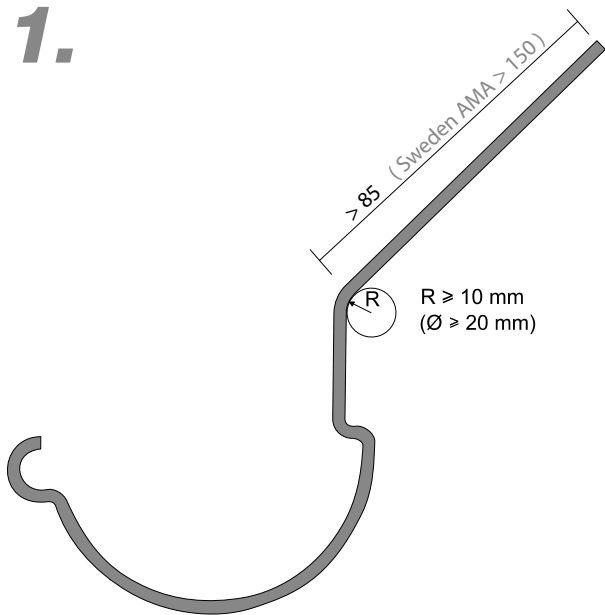


# Assembly Instruction Rainwater System

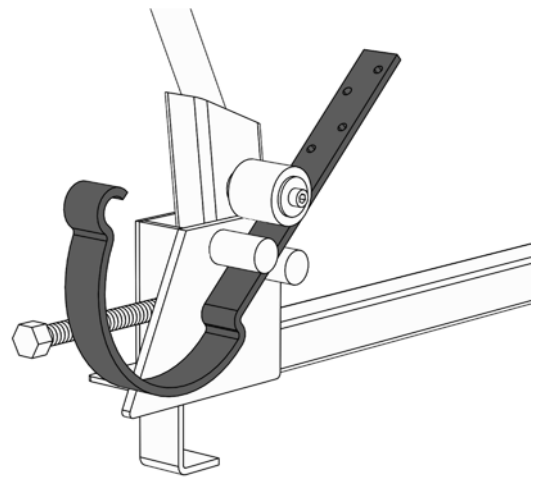
## KBO



1.



2.



3.

